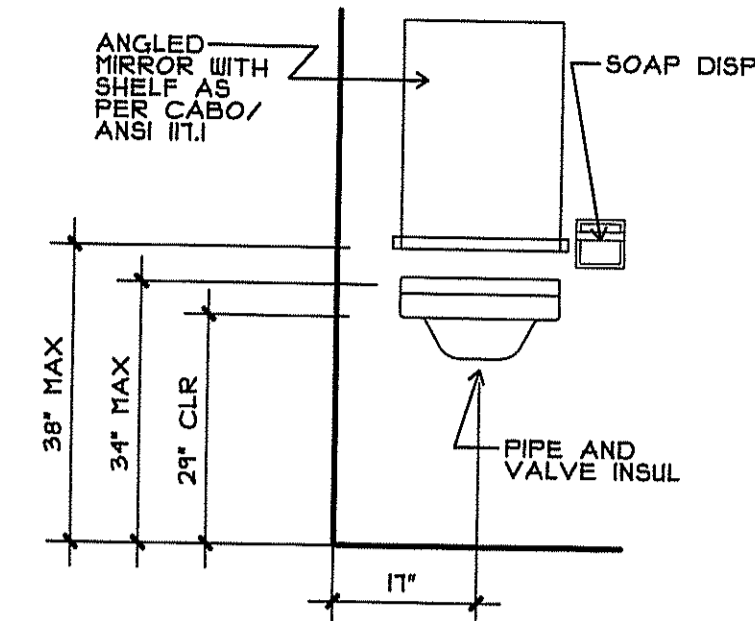
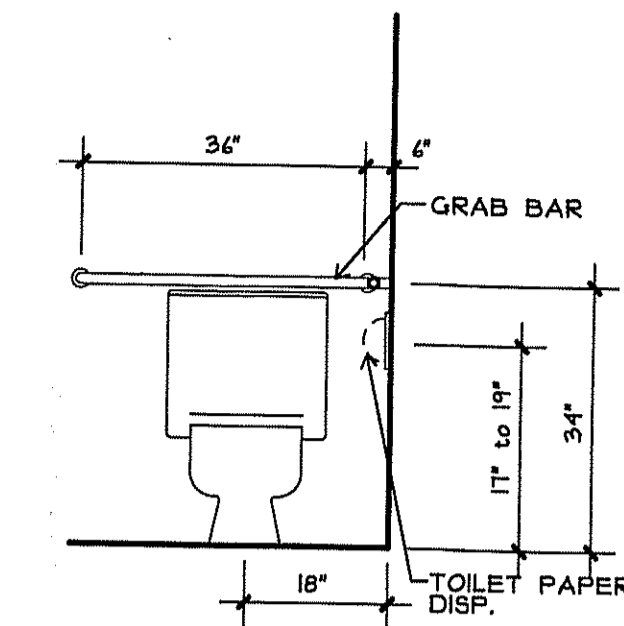


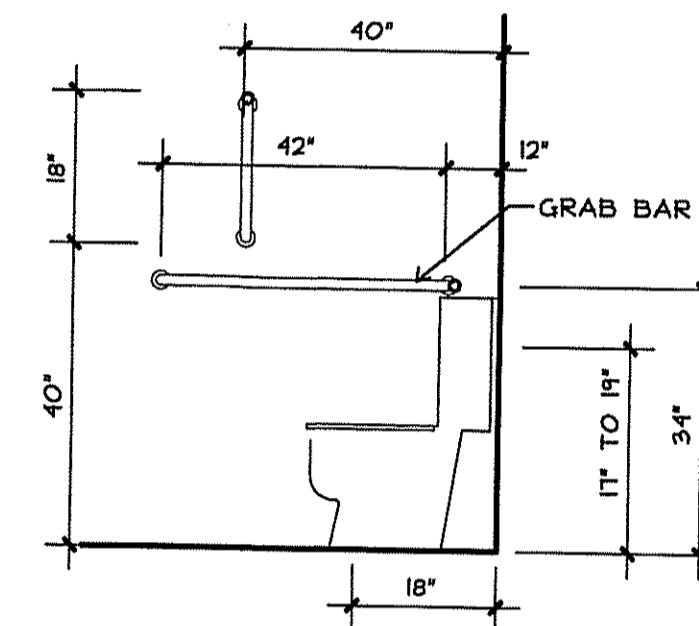
PART REAR EXTERIOR ELEVATION



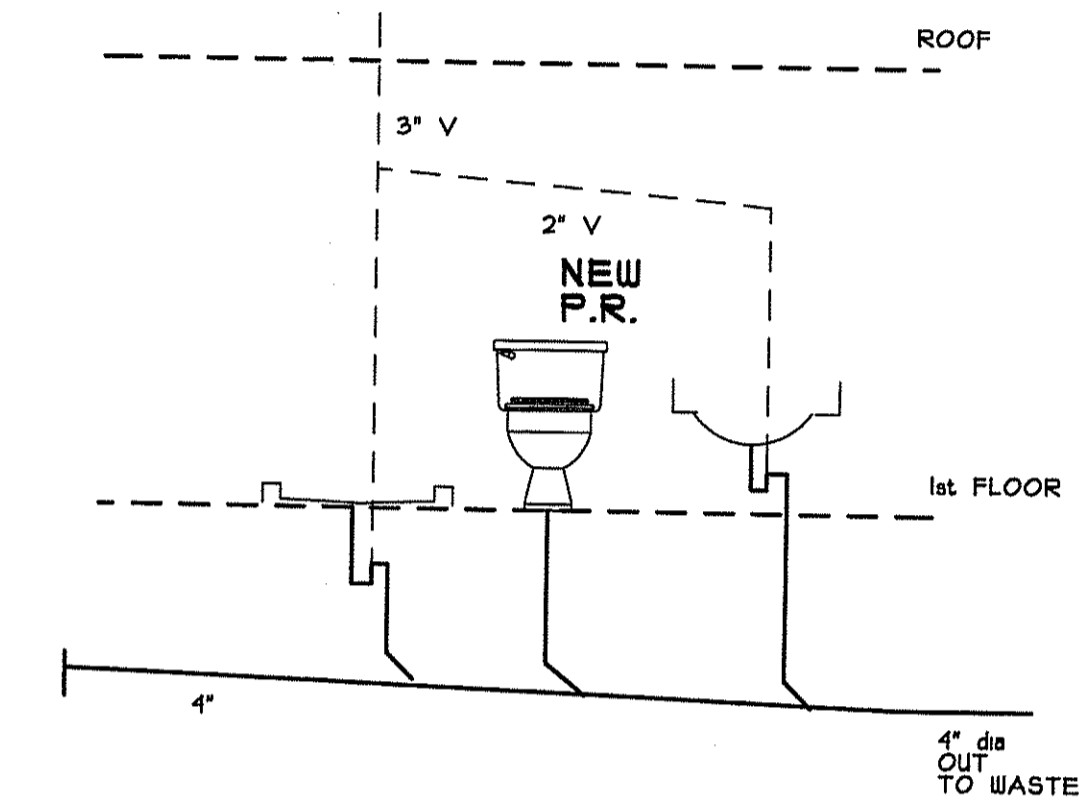
HC SINK ELEV



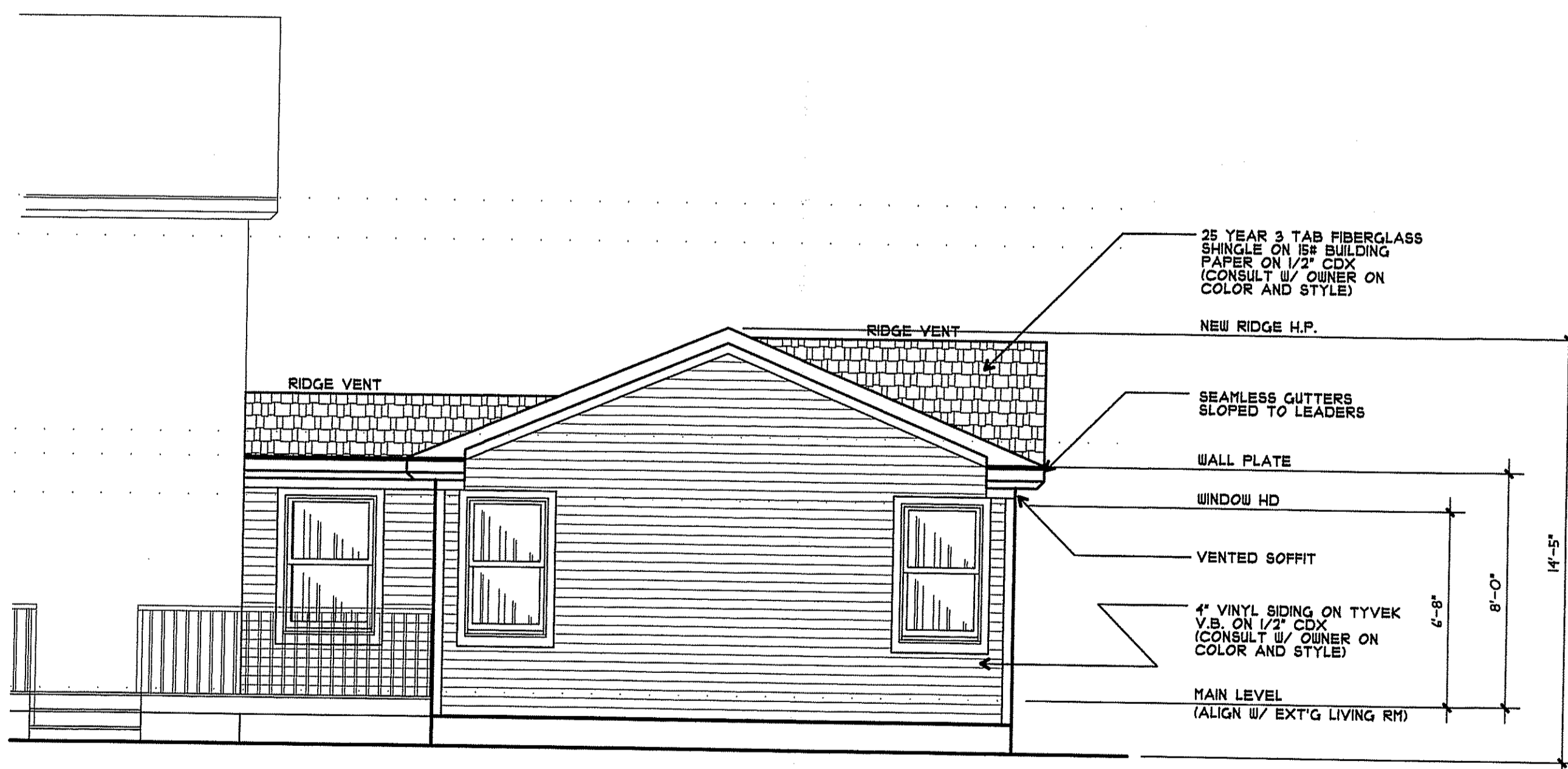
HC TOILET ELEV



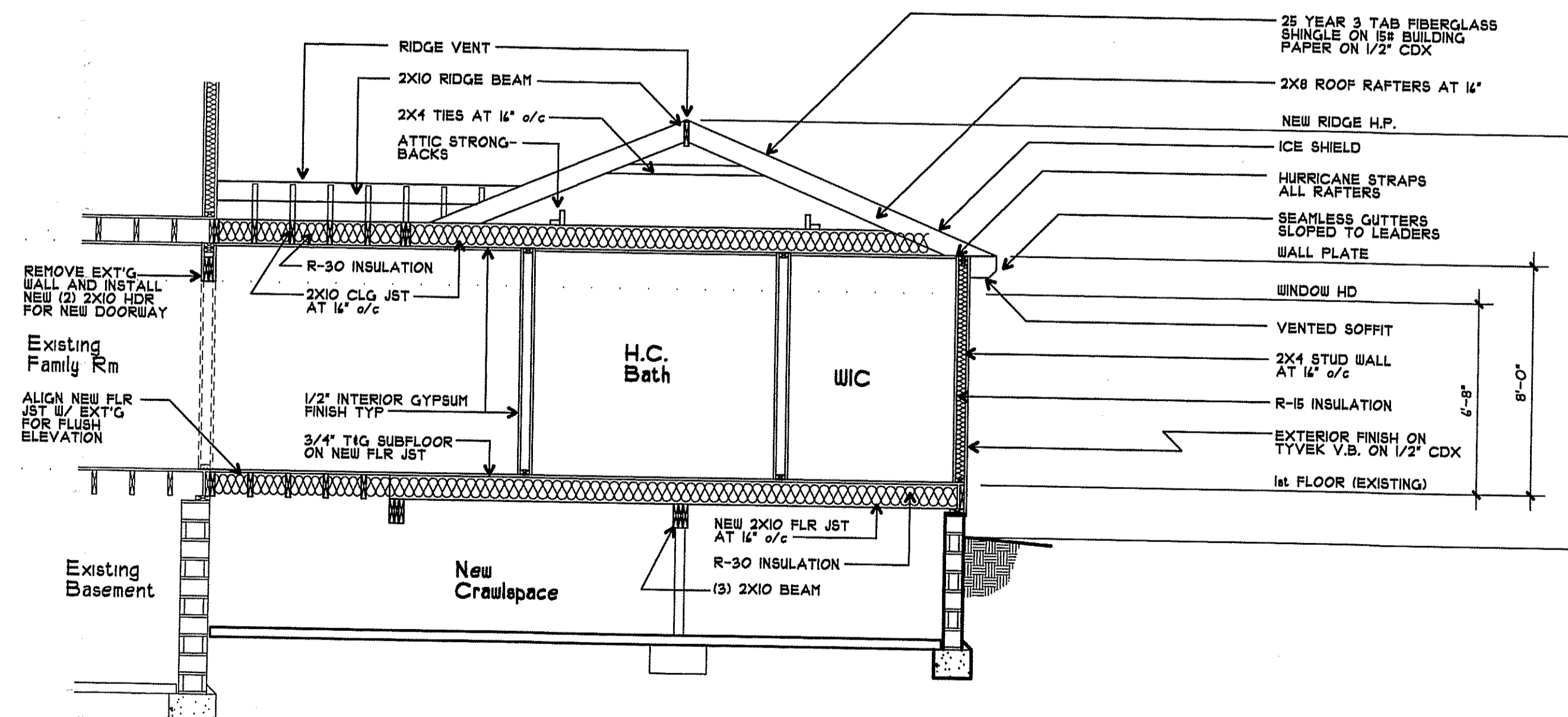
HC TOILET ELEV



PLUMBING RISER DIAGRAM



PART SIDE EXTERIOR ELEVATION



PARTIAL NEW BUILDING SECTION

J.D.R. CONSULTANTS
TAD HYRMAN
9 TERRY AVENUE SOUTH RIVER, N.J.

PAUL J. RODEK
8 SAJER COURT, SUITE C
EAST BRUNSWICK, N.J. 08816
PHONE: (732) 413-8400

Tad Hyrman

These drawings, or parts thereof, may not be reproduced in any form, by any method, for any purpose, without the prior written consent from ARCHITECT.

These drawings shall be used for the specific project location indicated within the Title Block, and shall not be used at any other location without prior consent from the ARCHITECT.

ELEV'S / SECT

PROJECT :

REMODEL FOR:
LIEBOFF
RESIDENCE

15 SAMI
COURT

MARLBORO
NEW JERSEY

SUBMISSION :

DATE	REVISIONS	BY	CHKD

DATE 10-26-20

SCALE AS NOTED

DRWN BY C.C.P.

CHKD BY P.J.R.

JOB NO 220-541

DRWG NO 2 of 2

A-2